



aerospace
climate control
electromechanical
filtration
fluid & gas handling
hydraulics
pneumatics
process control
sealing & shielding



Aluminum Dust Collector Valves

Valves for Pulse Air Control



ENGINEERING YOUR SUCCESS.

Series 72 - Aluminum Dust Collector Valves

Valves for Pulse Air Control for Filter Media Cleaning



Applications

- Dust Collecting
- Bag House Filters
- Air Pollution Control
- Sleeve Filters
- Power Generation
- Steel Mills
- Paper Mills
- Grain Handling
- Metal Cutting and Welding
- Fiberglass MFG
- Food Processing
- Mining
- Woodworking
- Asphalt Plants
- Rubber & Plastic MFG

General Description

Series 72 Valves are designed specifically for use in dust collecting air pollution control equipment utilizing filters that require rapid discharge of air for regular filter cleaning.

- Two way – Solenoid Operated (Diaphragm)
- Normally Closed (Power to Open)
- 3/4" - 1" NPT Ports

Standard Materials of Construction

- Flange: 305 Stainless Steel
- Sleeve: 430F Stainless Steel
- Shading Ring: Copper
- Plunger: 430F Stainless Steel
- Springs: 302 Stainless Steel
- Body: Aluminum
- Seals: NBR
- Coil (encapsulated): Class F with IP65 protection DIN Coil with cable gland

Options

Add suffix after the voltage code

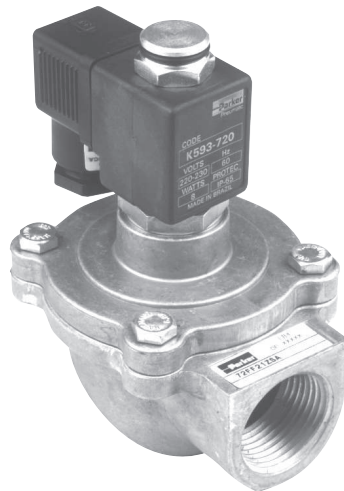
Enclosures

Explosion proof coil Enclosure (Nema 7 & 9)-add suffix "X" after the voltage code

Notes

Installation: Mounting in any position will not affect the valve operation.

Drawings: See dimensional drawings (nominal) listed at the end of the series.



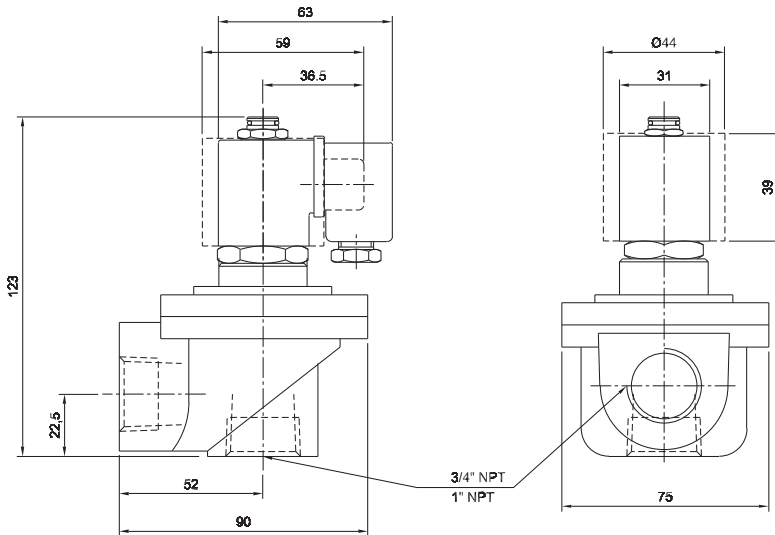
**Two way-Normally Closed (energize to open)
AC Aluminum Body with NBR Seal**

Part #	Connection NPT	Orifice In	Flow Factor Cv	MOPD (psi) Min / Max	Temp °F	AC Power Watts	Voltage V/Hz
72EF21ZS-A	3/4"	1"	6.47	15 / 115	175	8	110/60
72EF21ZSA-A	3/4"	1"	6.47	15 / 115	175	8	220/60
72FF21ZS-A	1"	1"	12.90	15 / 115	175	8	110/60
72FF21ZSA-A	1"	1"	12.90	15 / 115	175	8	220/60

**Two way-Normally Closed (energize to open)
DC Aluminum Body with NBR Seal**

Part #	Connection NPT	Orifice In	Flow Factor Cv	MOPD (psi) Min / Max	Temp °F	DC Power Watts	Voltage
72EF210TH-A	3/4"	1"	6.47	15 / 100	175	10	12
72EF210TF-A	3/4"	1"	6.47	15 / 100	175	10	24
72FF210TH-A	1"	1"	12.90	15 / 100	175	10	12
72FF210TF-A	1"	1"	12.90	15 / 100	175	10	24

Dimensions (mm, except main ports in inches)



Repair Kit

K 7 2 N F - A

NOTE: Coil voltage and type of enclosure do not affect the repair kit part number.

Series 75 - Aluminum Dust Collector Valves

Valves for Pulse Air Control for Filter Media Cleaning



Applications

- Dust Collecting
- Bag House Filters
- Air Pollution Control
- Sleeve Filters
- Power Generation
- Steel Mills
- Paper Mills
- Grain Handling
- Metal Cutting and Welding
- Fiberglass MFG
- Food Processing
- Mining
- Woodworking
- Asphalt Plants
- Rubber & Plastic MFG

General Description

Series 75 Valves are designed specifically for use in dust collecting air pollution control equipment utilizing sleeve filters that require rapid discharge of air for regular filter clearing.

- Two way – Solenoid Operated (Diaphragm)
- Normally Closed (Power to Open)
- 1 1/2" NPT Ports

Standard Materials of Construction

- Flange: 305 Stainless Steel
- Sleeve: 430F Stainless Steel
- Shading Ring: Copper
- Plunger: 430F Stainless Steel
- Springs: 302 Stainless Steel
- Body: Aluminum
- Seals: NBR
- Coil (encapsulated): Class F with IP65 protection DIN Coil with cable gland

Options

Add suffix after the voltage code

Enclosures

Explosion proof coil Enclosure (Nema 7 & 9)-add suffix "X" after the voltage code

Notes

Installation: Mounting in any position will not affect the valve operation.

Drawings: See dimensional drawings (nominal) listed at the end of the series.



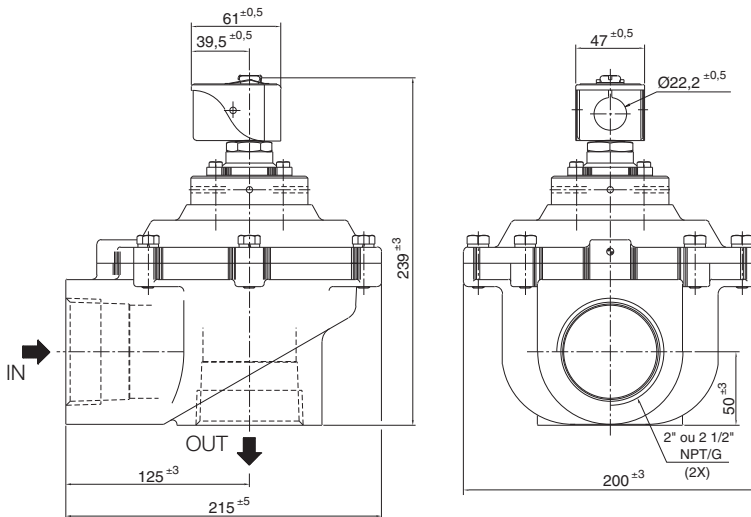
**Two way-Normally Closed (energize to open)
AC Aluminum Body with NBR Seal**

Part #	Connection NPT	Orifice In	Flow Factor Cv	MOPD (psi) Min / Max	Temp °F	AC Power Watts	Voltage V/Hz
75GF26ZS-A	1 1/2"	1 5/8"	33.2	15 / 115	175	8	110/60
75GF26ZSA-A	1 1/2"	1 5/8"	33.2	15 / 115	175	8	220/60

**Two way-Normally Closed (energize to open)
DC Aluminum Body with NBR Seal**

Part #	Connection NPT	Orifice In	Flow Factor Cv	MOPD (psi) Min / Max	Temp °F	DC Power Watts	Voltage
75GF260TH-A	1 1/2"	1 5/8"	33.2	15 / 100	175	10	12
75GF260TF-A	1 1/2"	1 5/8"	33.2	15 / 100	175	10	24

Dimensions (mm, except main ports in inches)



Repair Kit

K 75 G F - A

NOTE: Coil voltage and type of enclosure do not affect the repair kit part number.

Series 78 - Aluminum Dust Collector Valves

Valves for Pulse Air Control



Applications

- Dust Collecting
- Bag House Filters
- Air Pollution Control
- Sleeve Filters
- Power Generation
- Steel Mills
- Paper Mills
- Grain Handling
- Metal Cutting and Welding
- Fiberglass MFG
- Food Processing
- Mining
- Woodworking
- Asphalt Plants
- Rubber & Plastic MFG

General Description

Series 78 Valves are designed specifically for use in dust collecting air pollution control equipment utilizing sleeve filters that require rapid discharge of air for regular filter clearing.

- Two way – Solenoid Operated (Diaphragm)
- Normally Closed (Power to Open)
- 2" -2 1/2" NPT Ports

Standard Materials of Construction

- Flange: 305 Stainless Steel
- Sleeve: 430F Stainless Steel
- Shading Ring: Copper
- Plunger: 430F Stainless Steel
- Springs: 302 Stainless Steel
- Body: Aluminum
- Seals: NBR
- Coil (encapsulated): Class F with IP65 protection Leaded Coil with 18" leads

Options

Add suffix after the voltage code

Enclosures

Explosion proof enclosure, water and dust (NEMA 4, 7 and 9) uses the "E" suffix. General purpose enclosure with plug-in connector (NEMA 3R) uses the "C" suffix.

Notes

Installation: Mounting in any position will not affect the valve operation.

Drawings: See dimensional drawings (nominal) listed at the end of the series.



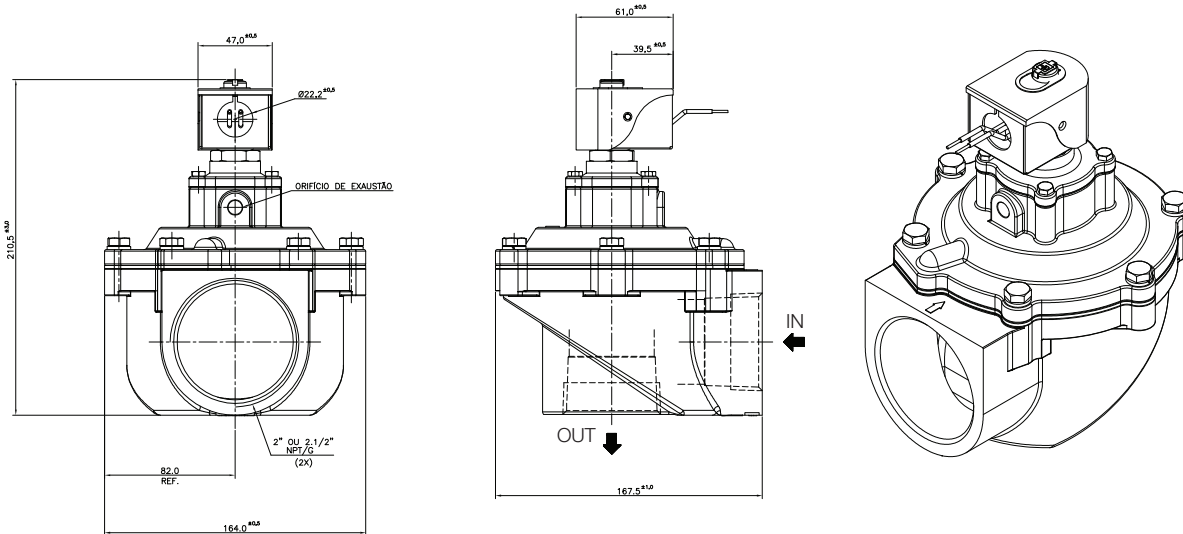
**Two way-Normally Closed (energize to open)
AC Aluminum Body with NBR Seal**

Part #	Connection NPT	Orifice In	Flow Factor Cv	MOPD (psi) Min / Max	Temp °F	AC Power Watts	Voltage V/Hz
78HF28CNY-B	2"	2"	52.5	44 / 115	175	11	110/50
78HF28CNZ-B	2"	2"	52.5	44 / 115	175	11	220/50
78JF32ZNY-B	2 1/2"	2 1/2"	82.0	44 / 115	175	11	110/50
78JF32ZNY-B	2 1/2"	2 1/2"	82.0	44 / 115	175	11	220/50

**Two way-Normally Closed (energize to open)
DC Aluminum Body with NBR Seal**

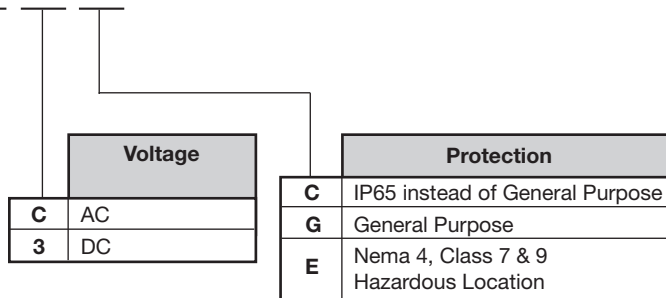
Part #	Connection NPT	Orifice In	Flow Factor Cv	MOPD (psi) Min / Max	Temp °F	DC Power Watts	Voltage
78HF283TH-B	2"	2"	52.5	44 / 115	175	11.5	12
78HF283TF-B	2"	2"	52.5	44 / 115	175	11.5	24
78JF323TH-B	2 1/2"	2 1/2"	82.0	44 / 115	175	11.5	12
78JF323TF-B	2 1/2"	2 1/2"	82.0	44 / 115	175	11.5	24

Dimensions (mm, except main ports in inches)



Repair Kits

K 7 8 Q F B



Series 73, 76 - Remote Pilot Valves

Valves for Pulse Air Control



General Description

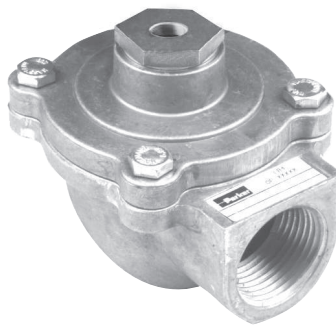
The remote pilot dust collector valves are designed for use where the pilot air pressure is remotely controlled by other solenoids or manifolds. This eliminates the need to have electrical wiring run to the location of the main flow valve mounted at the dust collector. Air line connection to the valve is 1/8" NPT. (Refer to Parker catalog on the 209/309 style manifold options for pilot control of valves.)

Standard Materials of Construction

- Body: Aluminum
- Seals: NBR

Applications

- Dust Collecting
- Bag House Filters
- Air Pollution Control
- Sleeve Filters
- Power Generation
- Steel Mills
- Paper Mills
- Grain Handling
- Metal Cutting and Welding
- Fiberglass MFG
- Food Processing
- Mining
- Woodworking
- Asphalt Plants
- Rubber & Plastic MFG

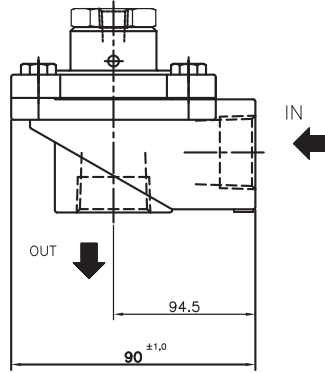
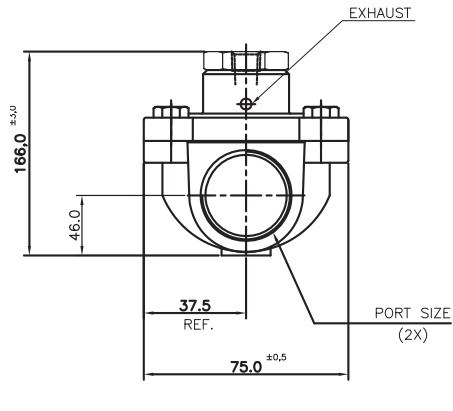


Remote Pilot Valves, Aluminum Body with NBR Seal

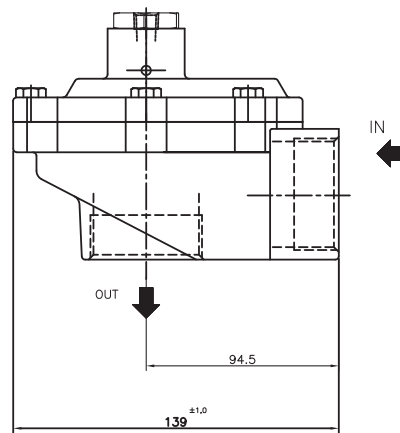
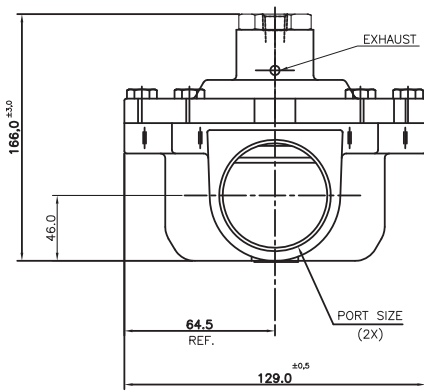
Remote Pilot Part Number	Connection Port Size NPT	Orifice	Flow factor CV	MOPD		Temp	Drawing Number
				Min Pressure Diff	Max Pressure Diff		
73EF21	3/4"	1"	6.47	15	115	175	1
73FF21	1"	1"	12.9	15	115	175	1
76GF26	1-1/2"	1-5/8"	33.2	15	115	175	2

Dimensions

Drawing 1



Drawing 2



Parker Hannifin Corporation
Fluid Control Division
95 Edgewood Avenue
New Britain, CT 06051
phone 860 827 2300
www.parker.com/fcd

